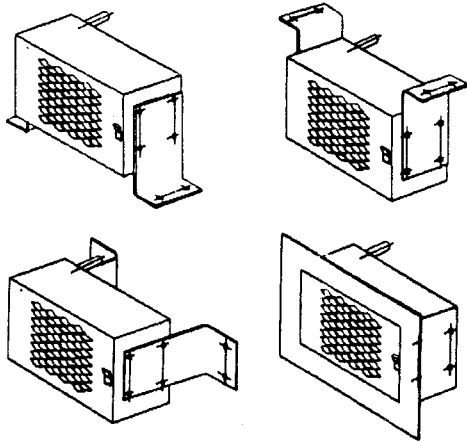


**THE 'RADEX' IS DESIGNED TO UTILIZE THE HEAT GENERATED BY A WATER COOLED ENGINE OR FROM ANY CIRCULATING HOT WATER SOURCE, TRANSFERRING THE WATER'S HEAT TO HOT AIR.**

**THE 'RADEX' IS A COMPLETELY SELF CONTAINED UNIT INCLUDING FAN AND ILLUMINATED ROCKER SWITCH.**

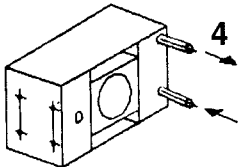
## INSTALLATION

- 1** Choose appropriate mounting position for your particular needs.

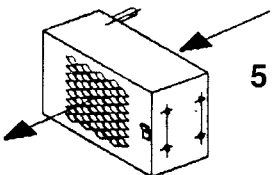


- 2** Make all necessary modifications for fitting of 'Radex', ie. bulkhead cutout, drill holes, etc.

- 3** Connect water in and water out pipes as shown.



- 4** Attach a 12v power supply to the fan unit. Test run the fan and ensure that the rocker switch is lit and that the air flow passes through the unit.



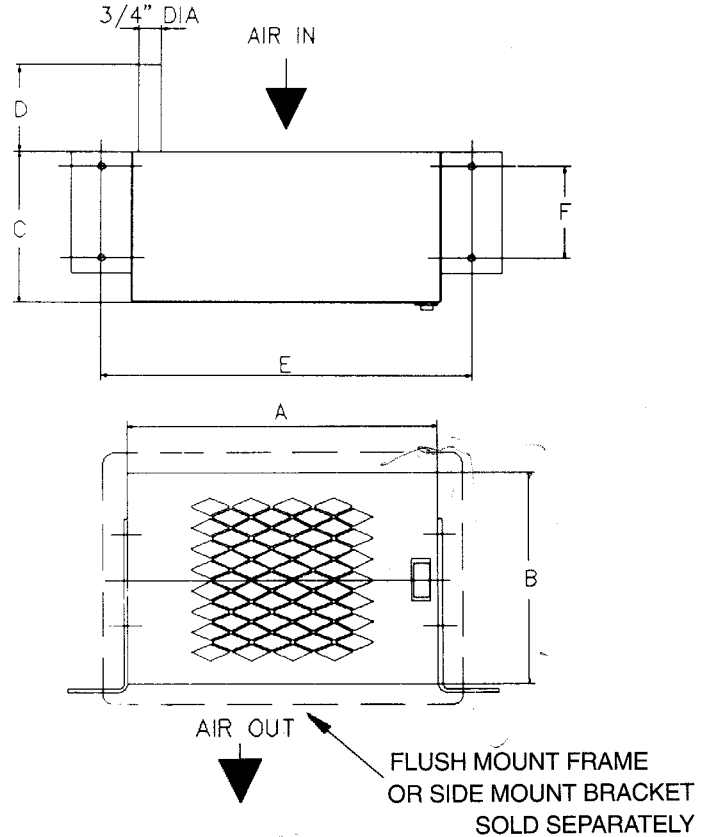
- 5** Secure the 'Radex' in mounted position.

### RECOMMENDATIONS

Ensure that the unit has an adequate air supply, i.e. the back of the unit must be clear by at least 2" from any surface.

## THE RADEX

## TECHNICAL SPECIFICATIONS RADEX 1 and 2



	A	B	C	D	E	F
Radex 1	10.38	7.00	5.00	2.00	12.38	3.00
Radex 2	16.88	7.00	5.00	2.00	18.88	3.00

All dimensions are in inches

	Volts	Amps	CFM	BTU/Hr	Shipping Weight (Lbs.)
Radex 1	12	0.74	100	12000	9
Radex 2	12	1.48	200	24000	17

BTU based on 100 degree temp rise

Dickinson manufactures a complete line of quality diesel and propane cookstoves, heaters and propane barbecues.

Dickinson reserves the right to make changes at anytime without notice in materials, specifications and models.

Dickinson Marine (1997) Ltd.  
407 - 204 Cayer Street  
Coquitlam, BC V3K 5B1  
Canada

**TELEPHONE**  
U.S./CANADA

**1 (800) 659-9768**

Shipping Warehouse  
Dickinson USA  
#117 - 12310 Hwy 99 S  
Everett, WA 98204 USA

[www.dickinsonmarine.com](http://www.dickinsonmarine.com)

---

# THE RADEX

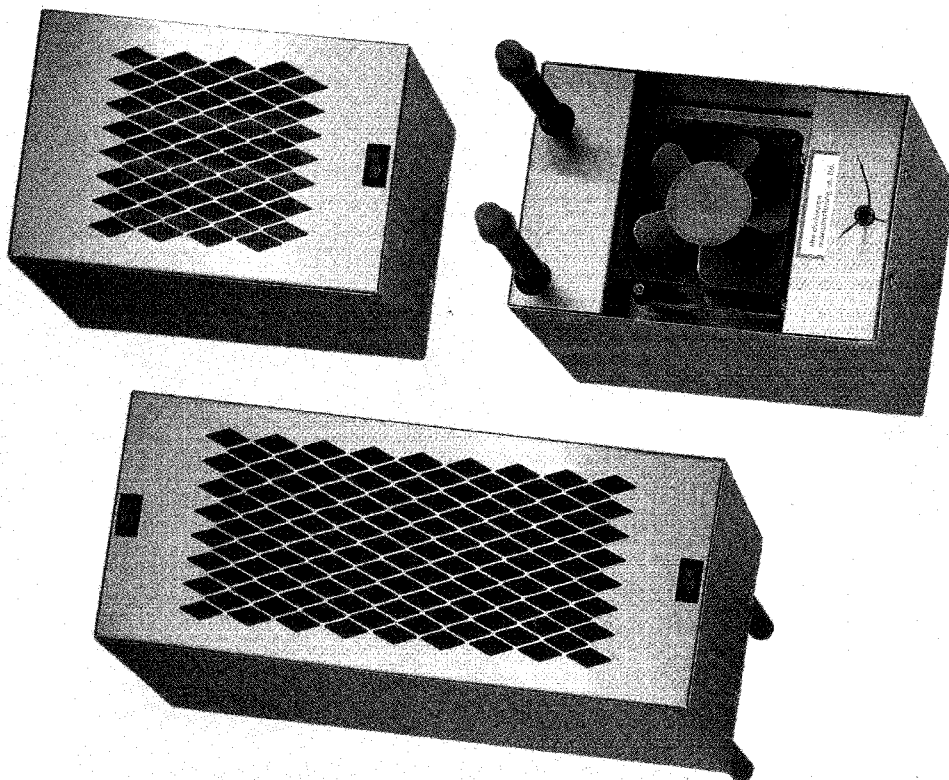
## Hot Water Forced Air Heater

All Dickinson products are crafted to clearly defined standards, their quality stainless steel construction minimizes the maintenance and is highly resistant to corrosion. All parts are designed, and manufactured in the Dickinson tradition, to withstand the rigors of the marine environment.

**THE RADEX** is part of this tradition, it is designed to efficiently use the waste water heat produced by a water cooled engine, or a hot water system, to generate forced air heat.

**THE RADEX** is easy to install. Simply connect to a circulating source of hot water and a low voltage power supply, and it delivers an endless supply of temperate heat. Ideal for a variety of applications, including boats, RVs, trucks and cars.

**THE RADEX** is manufactured from non corrosive materials, and comes equipped with either single or double independently switched high efficiency fans.



For information on other quality Dickinson products please call our toll free number in Canada and the US. 1-800-659-9768